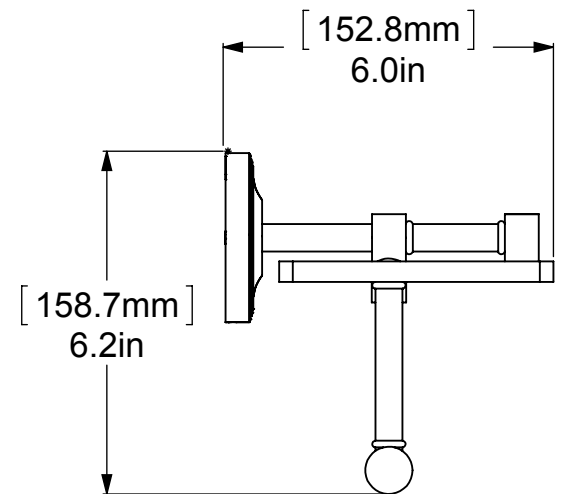
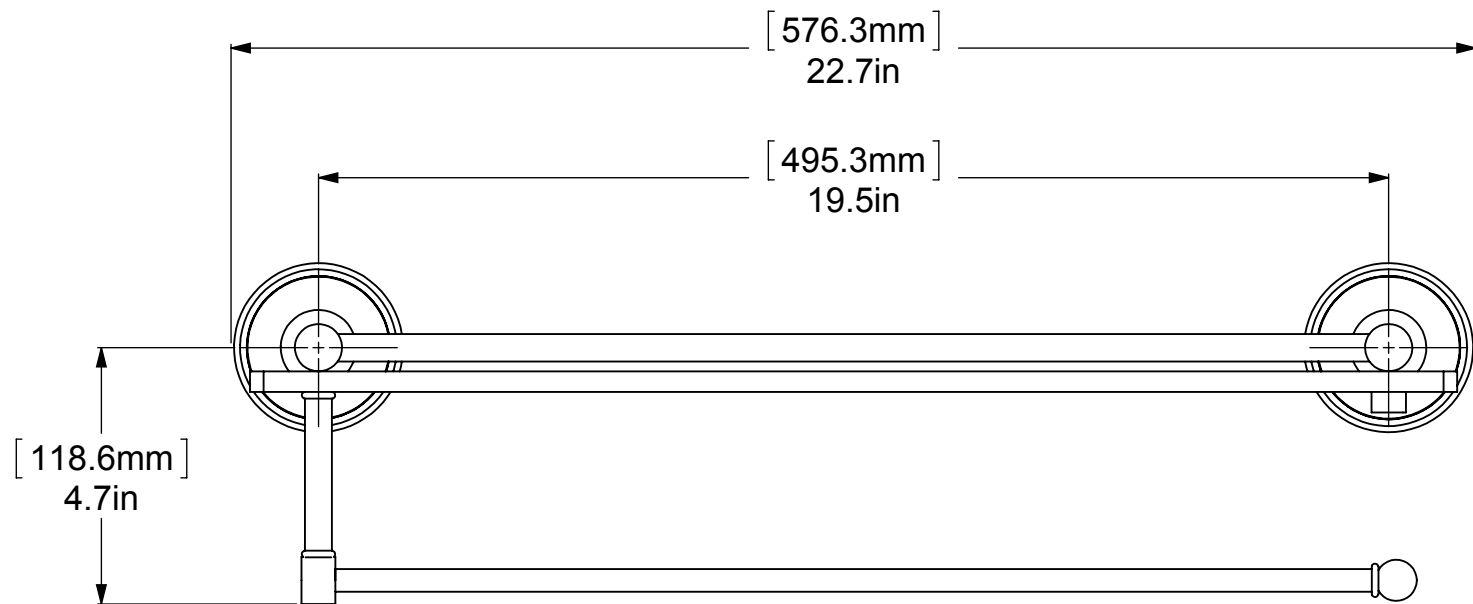
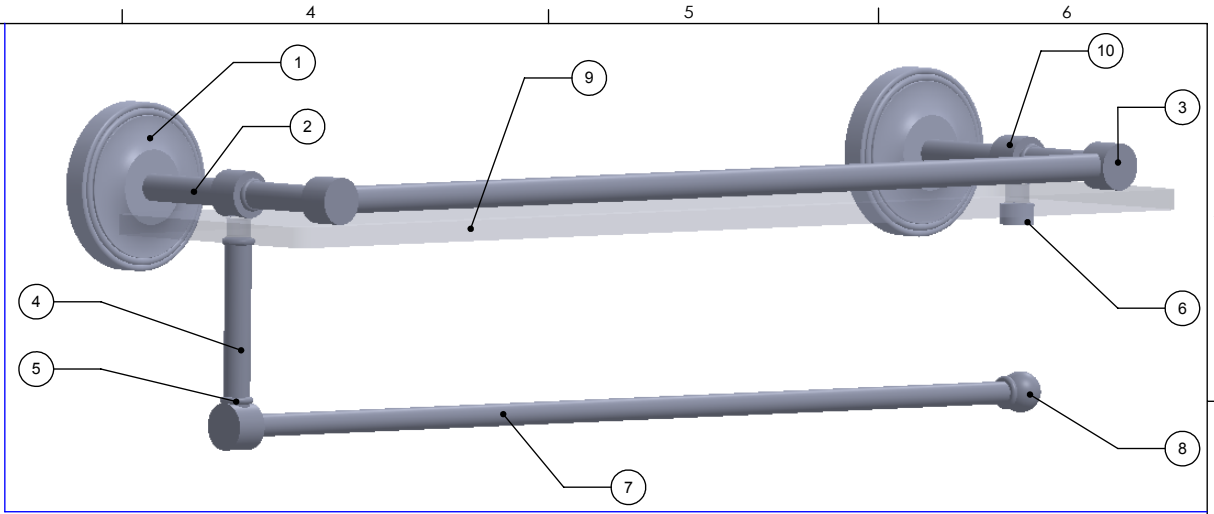


ITEM NO.	P/N	DESCRIPTION	QTY.
1	BPPR	BACKPLATE	2
2	TU12-2	TUBE SUPPORT TOP	2
3	HBBTT-78	HUB	3
4	TU12-3	VERTICAL TUBE	2
5	CRRD-12	CHECK RING	8
6	CARD-58	CAP	1
7	TU12-13.5	LOWER TUBE	2
8	BL1T-34	BALL	1
9	GLRT-22	GLASS	1
10	MR-TILT-FITT	HUB-CON	2



DRAWN 11-24-15 I.M CHECKED 11-24-15 P.D APPROVED 11-24-15 R.A	MATERIAL:	FINISH	TBD	
	DESCRIPTION:	QUANTITY	TBD	
	PRBP-1PT-22-GAL	DRAWING No.		REV
		PRBP-1PT-22-GAL		0
SCALE 1:3		SHEET: 01	A4	



COPYRIGHT © Allied Brass 2015